

# BUTTERFLY VALVE

**DN 500 - DN 1200 · PN 6**  
**TYPE AK/SSK**



Safety shut-off  
(closing time < 1s)



Pressure  
max. 2 Bar



Temperature  
max. 120°C

MADE IN GERMANY



[info@herberholz.com](mailto:info@herberholz.com) - [www.herberholz.com](http://www.herberholz.com)



Steel industry

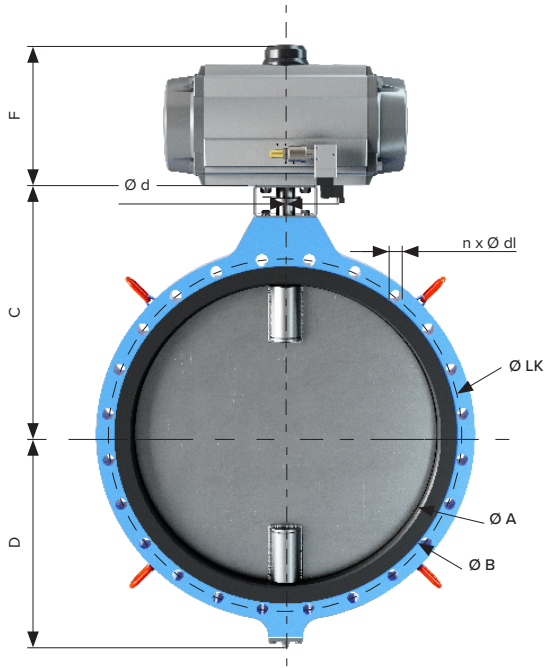


Industrial burners

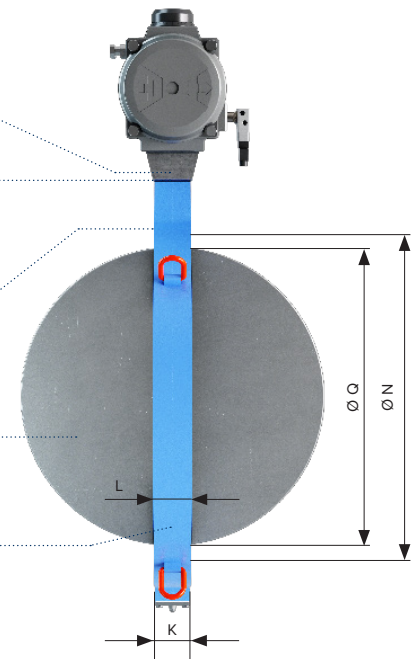
DN 500 - DN 1200 · PN 6

TYPE AK/SSK

SERIES 054



- SHAFT**  
1.4057
- SHAFT SEALING**  
Polyacetal-/PTFE-socket  
with inner and outer  
NBR / FPM-O-Rings
- LINING**  
NBR-DVGW,  
FPM vulcanized
- DISC**  
1.4571, 1.0570, 1.4462  
Compo Coat CCR32
- BODY**  
1.0570 with  
2K-COA coated



| DN   | Actuator Type | Ø A  | Ø B  | C   | D   | F   | K   | Ø LK | n x Ø dl  | Ø N  | Q    | Ø d | Weight [kg]<br>(incl. Actuator) |
|------|---------------|------|------|-----|-----|-----|-----|------|-----------|------|------|-----|---------------------------------|
| 500  | SC 1200       | 490  | 645  | 495 | 428 | 295 | 90  | 600  | 20 x Ø 22 | 570  | 487  | 50  | 188                             |
| 600  | SC 1200       | 590  | 755  | 545 | 477 | 349 | 90  | 705  | 20 x Ø 26 | 670  | 587  | 50  | 213                             |
| 700  | SC 3000       | 690  | 860  | 595 | 528 | 349 | 90  | 810  | 24 x Ø 26 | 765  | 687  | 50  | 241                             |
| 800  | SC 3000       | 790  | 975  | 645 | 578 | 349 | 90  | 920  | 24 x Ø 30 | 880  | 787  | 50  | 270                             |
| 900  | SC 4000       | 890  | 1075 | 775 | 653 | 380 | 100 | 1020 | 24 x Ø 30 | 980  | 886  | 60  | 408                             |
| 1000 | SC 4000       | 990  | 1175 | 825 | 703 | 380 | 100 | 1120 | 28 x Ø 30 | 1080 | 986  | 60  | 440                             |
| 1200 | SC 4000       | 1190 | 1405 | 925 | 805 | 380 | 100 | 1340 | 32 x Ø 33 | 1295 | 1186 | 60  | 537                             |

Technical data changes and developments reserved.

Data may vary depending on product specification.