

# BUTTERFLY VALVE DAMPERS

**DN 100 – DN 1200**  
**TYPE FDK/FAK**



Temperature  
max. 950°C



MADE IN GERMANY



Industrial construction  
& machinery



Energy recovery

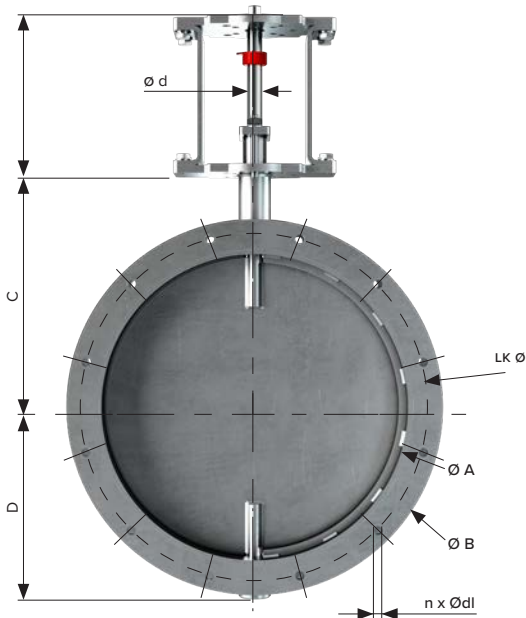


Marine industry

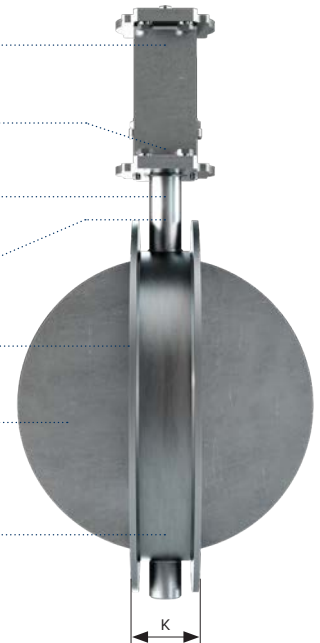
DN 100 – DN 1200

TYPE FDK/FAK

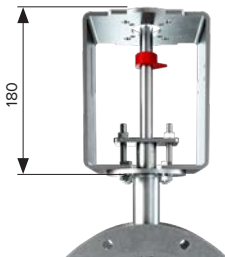
SERIES 080



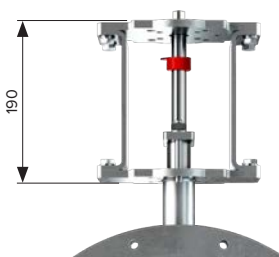
- MOUNTING BRACKET**  
1.0037, 1.4301
- PACKING GLAND**  
1.0037, 1.4571
- SHAFT SEALING**  
Graphite, Ceramics, Elastomers
- SHAFT**  
1.4571, 1.4301, 1.4828
- SEAL RING**  
Graphite, Ceramics, Elastomers
- DISC**  
1.0037, 1.4301, 1.4571,  
1.5415, 1.4828
- BODY**  
1.0037, 1.4301, 1.4571,  
1.5415, 1.4828



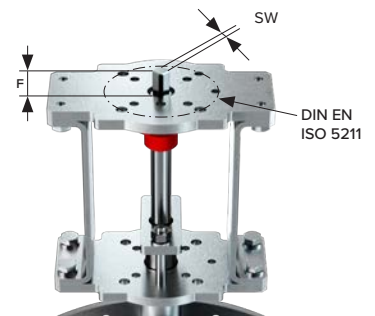
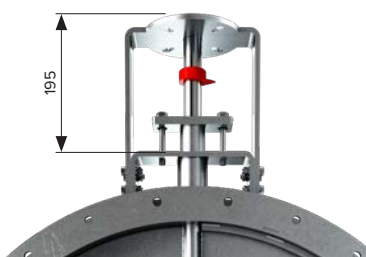
Up to DN 250



From DN 300 to DN 500



From DN 600

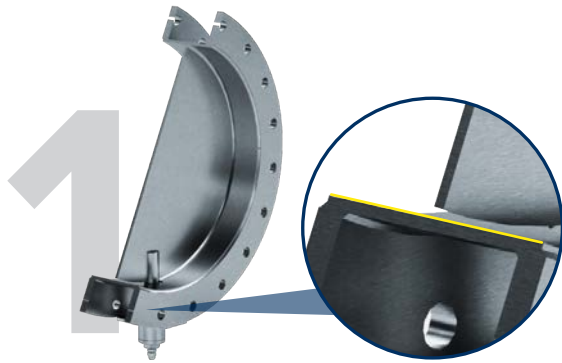


DN	ø A	ø B	C	K	ø d	SW	F	ø LK
100	92	220	161	85/100	20	14	22	PN6 / PN10 / PN16
150	142	285	176	85/100	20	14	22	PN6 / PN10 / PN16
200	193	340	201,5	85/100	20	14	22	PN6 / PN10 / PN16
250	243	405	226,5	85/100	20	14	22	PN6 / PN10 / PN16
300	293	460	261	85/100/140/200	24	17	27	PN6 / PN10 / PN16
350	348	520	289	85/100/140/200	24	17	27	PN6 / PN10 / PN16
400	394	590	313	85/100/140/200	24	17	27	PN6 / PN10 / PN16
500	494	715	362	85/100/140/200	24	17	27	PN6 / PN10 / PN16
600	595	840	408	100/140/200	30	22	27	PN6 / PN10 / PN16
700	694	910	465	100/140/200	30	22	27	PN6 / PN10 / PN16
800	794	1025	511	100/140/200	40	27	29	PN6 / PN10 / PN16
900	894	1125	563	100/140/200	40	27	29	PN6 / PN10 / PN16
1000	994	1255	614	100/140/200	40	27	29	PN6 / PN10 / PN16
1200	1194	1485	738	100/140/200	40	27	32	PN6 / PN10 / PN16

DN 100 – DN 1200

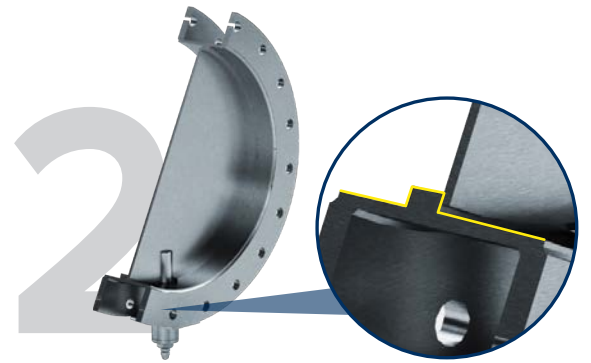
TYPE FDK/FAK

SERIES 080



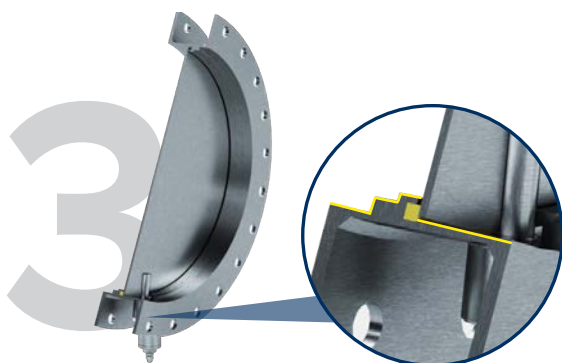
**1. WITHOUT SEAT**

Leakage approx. 1% of area equivalent



**2. METALLIC TRAVEL STOP**

Leakage approx. 0,5% of area equivalent



**3. METALLIC TRAVEL STOP  
WITH LINING ELEMENT\***

Leakage approx. 0,1% of area equivalent