

BUTTERFLY VALVE DAMPERS

DN 140 – DN 1250
TYPE LDKF



Pressure
max. 900°C



MADE IN GERMANY



HVAC



Engineering

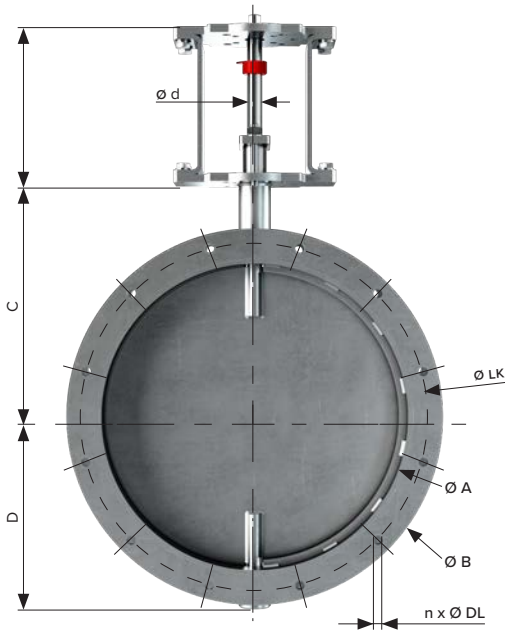


Environment

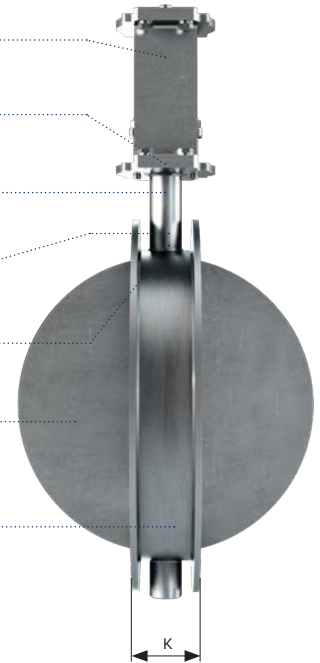
DN 140 – DN 1250

TYPE LDKF

SERIES 060



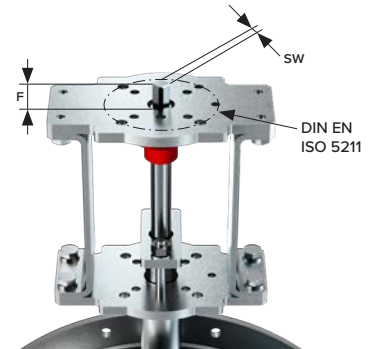
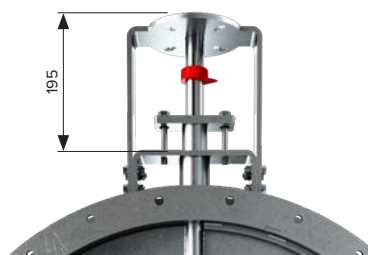
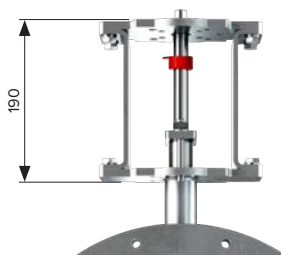
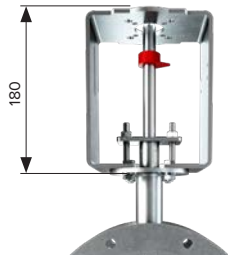
- MOUNTING BRACKET**
1.0037, 1.4301
- PACKING GLAND**
1.0037, 1.4571
- SHAFT SEALING**
Graphite, NBR, FPM, Ceramic
- SEAL RING**
Graphite, Ceramic, Elastomers
- SHAFT**
1.4571, 1.4301, 1.4828
- DISC**
1.0037, 1.4301, 1.4571,
1.5415, 1.4828
- BODY**
1.0037, 1.4301, 1.4571,
1.5415, 1.4828



Up to DN 250

From DN 280 to DN 500

From DN 560



DN	ø A	ø B	C	D	K	ø d	SW	DIN EN ISO 5211	ø LK	n x ø DL	F
100	96	162	151	81	70	14	11	F05 / F07	139	4 x 9,5	17
140	132	212	171	106	70	14	11	F05 / F07	182	8 x 11,5	17
150	142	222	176	116	70	16	11	F05 / F07	191	8 x 11,5	17
160	152	232	181	121	70	16	11	F05 / F07	200	8 x 11,5	17
180	172	252	191	131	70	16	11	F05 / F07	219	8 x 11,5	17
200	193	273	201,5	141,5	70	16	11	F05 / F07	241	8 x 11,5	17
224	217	297	213,5	153,5	70	16	11	F05 / F07	265	8 x 11,5	17
250	243	323	226,5	166,5	70	16	11	F05 / F07	292	8 x 11,5	17
280	273	363	251,5	191,5	85	20	14	F07 / F10	332	8 x 11,5	22
300	293	383	261,5	201,5	85	20	14	F07 / F10	349	8 x 11,5	22
315	308	398	269	209	85	20	14	F07 / F10	366	8 x 11,5	22
355	348	438	289	229	85	20	14	F07 / F10	405	8 x 11,5	22

DN	ø A	ø B	C	D	K	ø d	SW	DIN EN ISO 5211	ø LK	n x ø DL	F
400	394	484	312	252	85	20	14	F07 / F10	448	12 x 11,5	22
450	444	534	337	277	85	20	14	F07 / F10	497	12 x 11,5	22
500	494	584	362	302	85	20	14	F07 / F10	551	12 x 11,5	22
560	554	664	387	332	100	24	17	F07 / F10	629	16 x 14,0	22
600	595	705	408	352,5	100	24	17	F07 / F10	665	16 x 14,0	22
630	624	734	423	367	100	24	17	F07 / F10	698	16 x 14,0	22
710	704	814	465	407	100	24	17	F07 / F10	775	16 x 14,0	22
800	794	904	511	452	100	30	22	F10 / F12	861	24 x 14,0	24
900	894	1004	563	533	100	30	22	F10 / F12	958	24 x 14,0	24
1000	995	1105	614	583	100	30	22	F10 / F12	1067	24 x 14,0	24
1120	1115	1245	685	657	140	40	27	F10 / F12	1200	32 x 18,0	27
1250	1245	1375	751	727	140	40	27	F10 / F12	1337	32 x 18,0	27

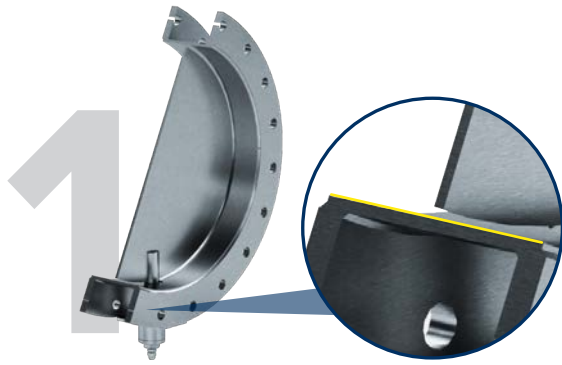
SEAL RING

HERBERHOLZ
INDUSTRIAL VALVES

DN 140 – DN 1250

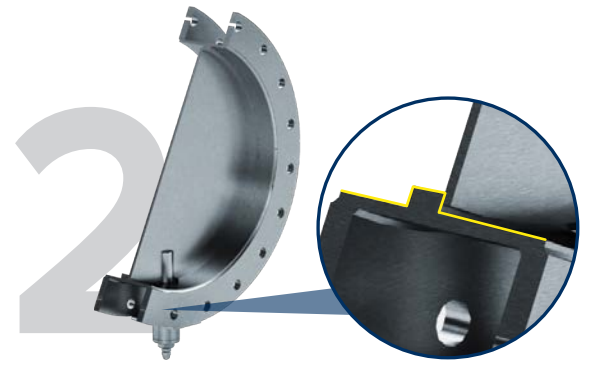
TYPE LDKF

SERIES 060



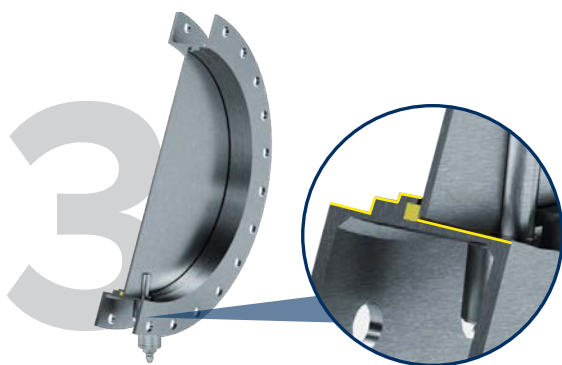
1. WITHOUT SEAT

Leakage approx. 1% of area equivalent



2. METALLIC TRAVEL STOP

Leakage approx. 0,5% of area equivalent



3. METALLIC TRAVEL STOP WITH LINING ELEMENT*

Leakage approx. 0,1% of area equivalent