

CONTROL VALVE

OCEAN PRESTIGE EDITION



DN
150 - 800



Temperature
max. 550°C



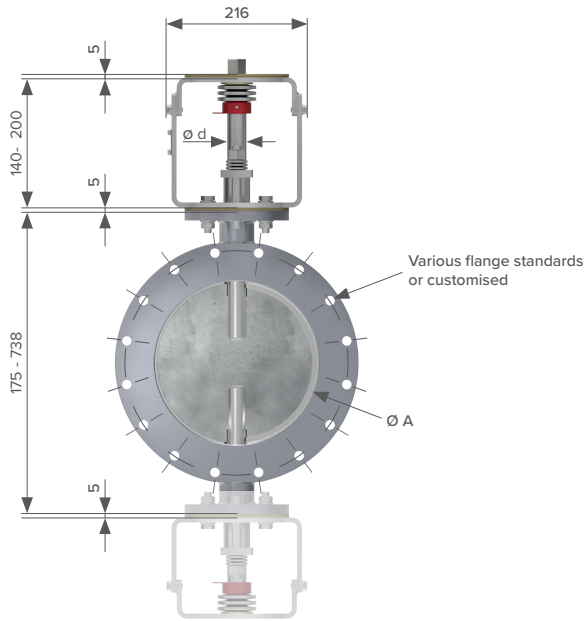
Pressure
max. 500 mBar



ship building

OCEAN PRESTIGE EDITION

SERIES 058



MOUNTING BRACKET
Stainless steel, coated steel, RAL colour

PACKING GLAND
1.4571

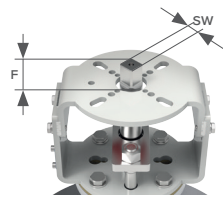
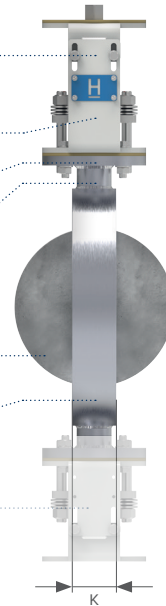
SHAFT SEAL
Packing gland, sealing medium, suction

SHAFT
1.4435

DISC
1.4435

BODY
1.4435

OPTIONAL: 2. MOUNTING BRACKET
1.0037



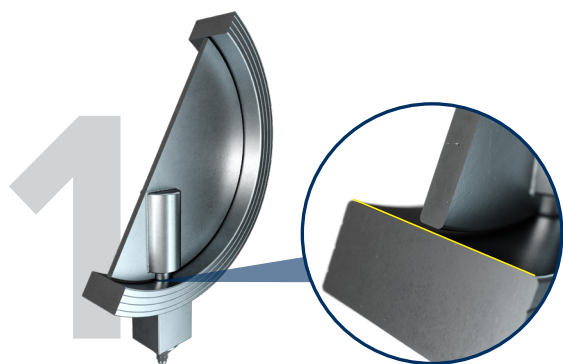
DN	Ø A	F	SW	K	ISO 5211	Ø d
150	151	17	14	56	F05 / F07 / F10	20
200	201	17	14	60	F05 / F07 / F10	20
250	251	23	22	68	F07 / F10 / F12	30
300	301	23	22	60	F07 / F10 / F12	30
350	340	23	22	78	F07 / F10 / F12	30
400	390	23	22	80	F07 / F10 / F12	30
450	440	23	22	65	F07 / F10 / F12	30
500	490	23	22	80	F07 / F10 / F12	30
600	590	27	27	80	F10 / F12 / F14	40
700	690	27	27	80	F10 / F12 / F14	40
800	790	27	27	80	F10 / F12 / F14	40

SEAL RING

HERBERHOLZ
INDUSTRIAL VALVES

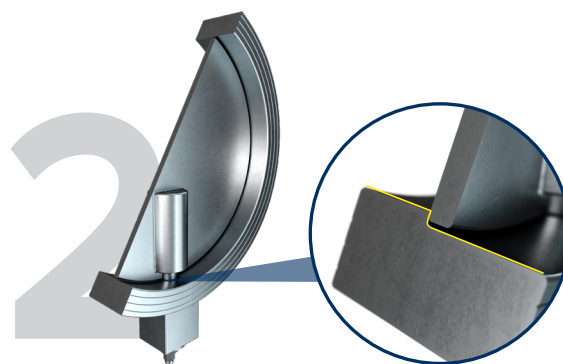
OCEAN **PRESTIGE EDITION**

SERIES **058**



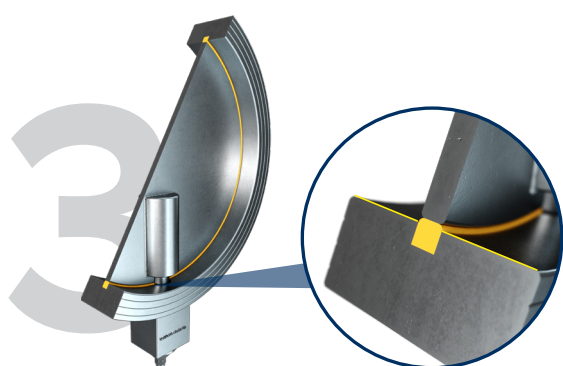
1. WITHOUT

Leakage approx. 1% of area equivalent



2. METALLIC TRAVEL STOP

Leakage approx. 0,5% of area equivalent



3. WITH SEALING ELEMENT

Leakage approx. 0,3% of area equivalent