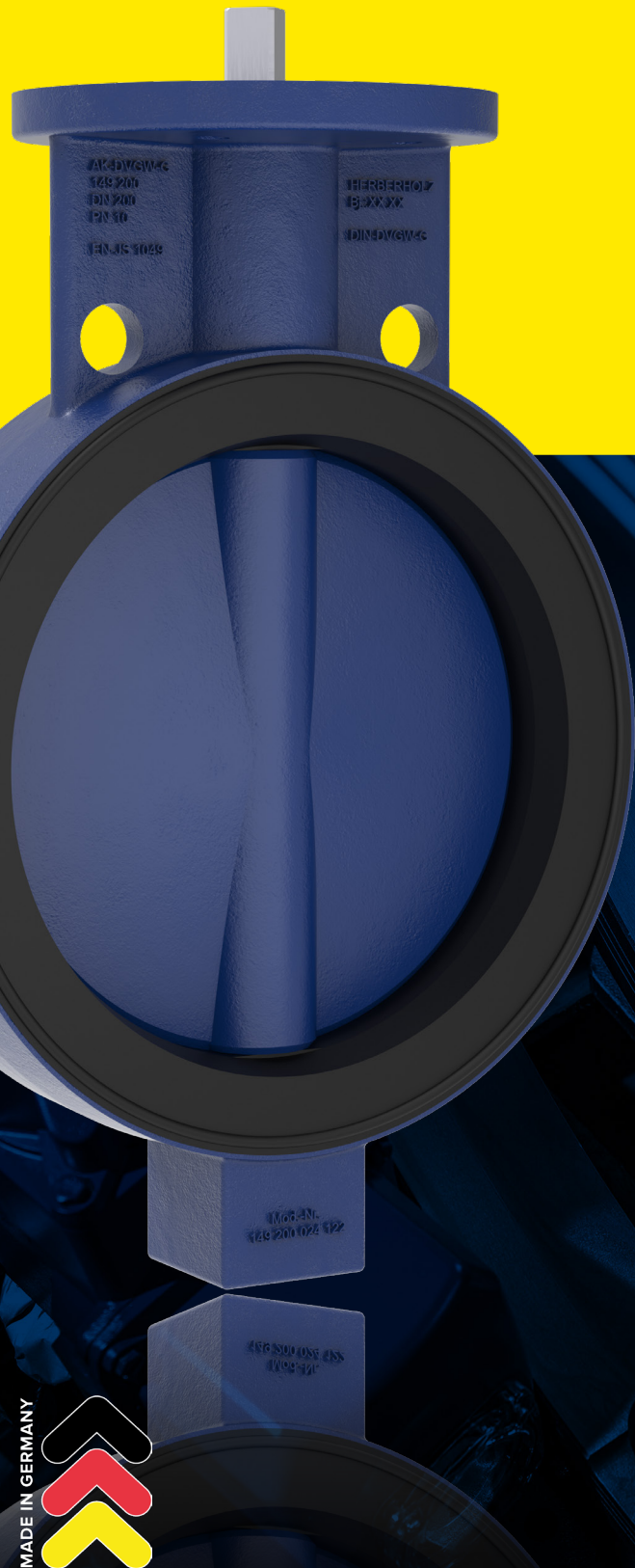


BUTTERFLY VALVE



SMART H2 EDITION



DN
50 - 300



Temperature
max. 60°C



Pressure
max. 9 Bar



Industrial
Furnaces



Steel Industry



Industrial Combustion
Technology

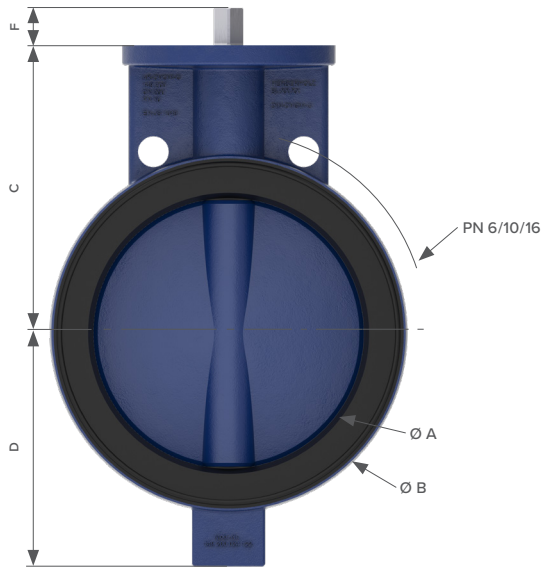


Renewable Energy
Technology



SMART H2 EDITION

SERIES 045



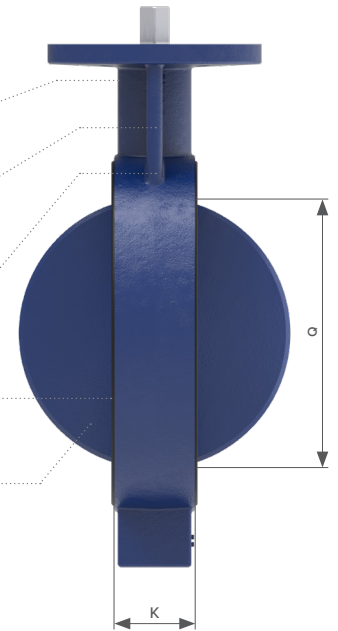
BODY
EN-JS 1049

SHAFT LINING
Epoxy resin-socket
with inner and outer NBR O-rings

SHAFT
1.4021

LINING
NBR DVGW

DISC
EN-JS 1049 E-CTFE (Halar®) coated



DN	Ø A	Ø B	C	D	K	Ø	F	DIN EN ISO 5211	Weight [kg]
50	48	103	125	75	43	25	17	F 07/10	4,0
65	64	124	135	83	46	46	18	F 07/10	4,8
80	78	138	140	95	46	66	19	F 07/10	5,5
100	100	161	149	118	52	86	20	F 07/10	6,6
125	126	192	165	133	56	116	20	F 10	7,8
150	149	214	185	153	56	140	22	F 10	9,2
200	200	268	216	175	60	192	28	F 10	14,2
250	250	327	240	228	68	243	19	F 10	22
300	300	373	265	262	78	289	27	F 10	33